

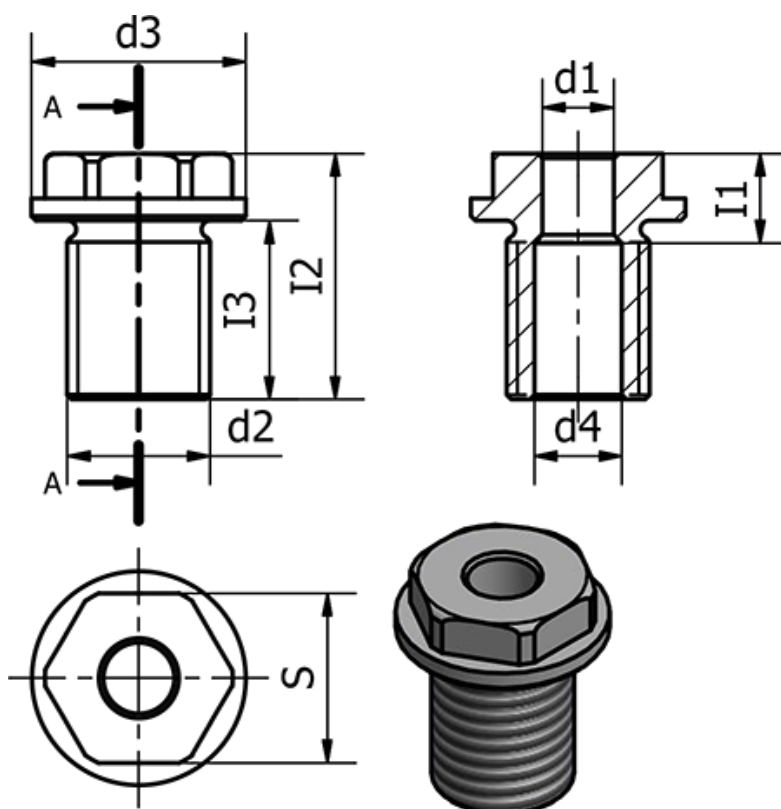
Data Sheet



Article number: 201132825M16A

Description: E+G Holding bushes for lifting pins,
GN 1132-8-25-M16-A

Measures



d1 = 8

d2 = M16

d3 = 24

d4 = 9.800000000000000000000007

I1 = 25

I2 = 37.5

I3 = 25

s = 19

Tightening torque in Nm = 75